

PRODUCT INFORMATION PACKET

marathon[®]
Motors

Model No: 5KC49TN2170X
Catalog No: C339
2,3450,DP,56J,1/60/115/230
Single Phase



Regal and Marathon are trademarks of Regal Beloit Corporation or one of its affiliated companies.
©2018 Regal Beloit Corporation, All Rights Reserved. MC017097E

REGAL[®]

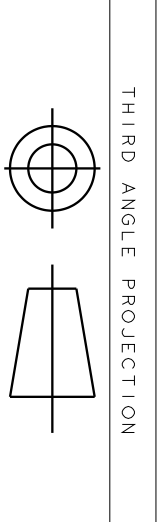
Nameplate Specifications

Output HP	2 Hp	Output KW	1.5 kW
Frequency	60 Hz	Voltage	115/230 V
Current	21.2,10.6 A	Speed	3450 rpm
Service Factor	1.2	Phase	1
Efficiency	75.4 %	Duty	Continuous
Insulation Class	B	Design Code	L
KVA Code	J	Frame	56J
Enclosure	Drip Proof	Overload Protector	AUTO
Ambient Temperature	40 °C	Drive End Bearing Size	6203
Opp Drive End Bearing Size	6203	UL	Recognized
CSA	Yes	CE	N

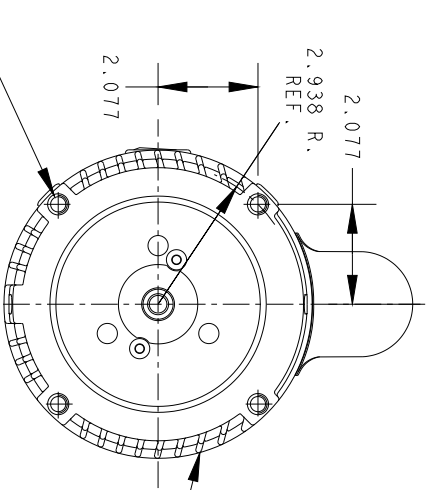
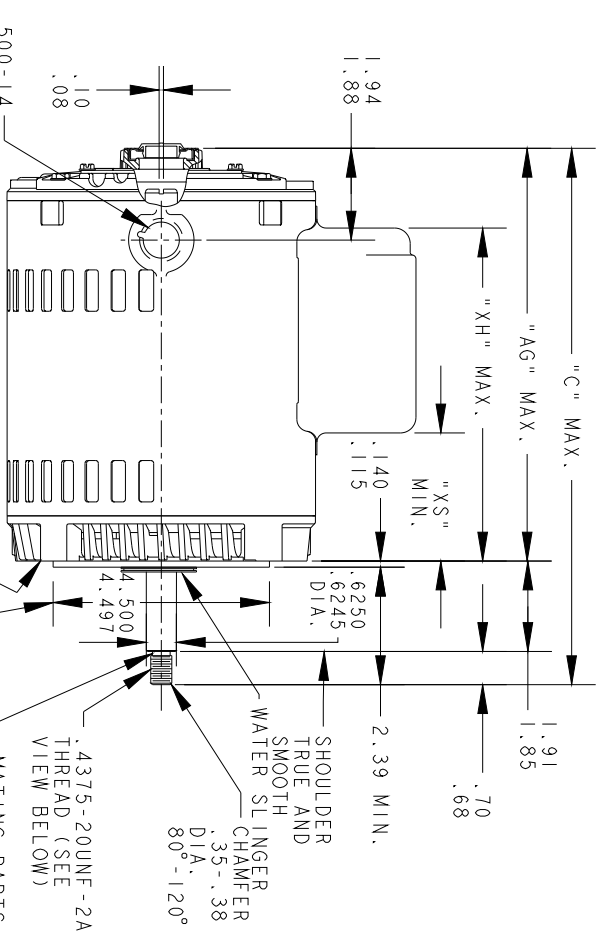
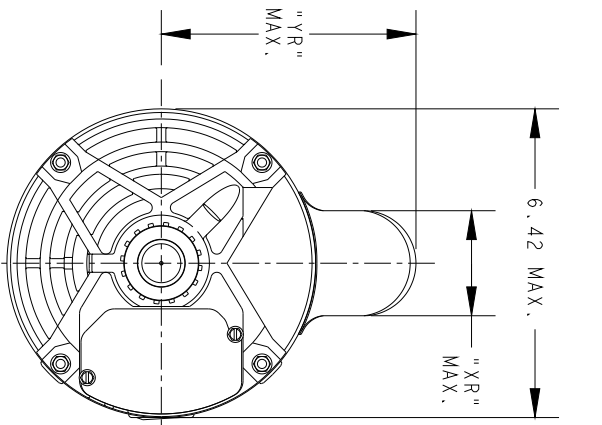
Technical Specifications

Electrical Type	Capacitor Start Induction Run	Starting Method	SM
Poles	2	Rotation	Clockwise
Mounting	Round	Motor Orientation	ANY
Drive End Bearing	LOCKED	Opp Drive End Bearing	BALL
Frame Material	Rolled Steel	Overall Length	13.73 in
Frame Length	8.99 in	Shaft Diameter	0.63 in
Shaft Extension	2.39 in		
Outline Drawing	52A109642P1	Connection Diagram	52A105384AA

This is an uncontrolled document once printed or downloaded and is subject to change without notice. Date Created: 10/08/2018



REVISIONS		DATE	APPROVED
REV. 2	"WATER SLINGER" ADDED AS PER IS11-5119	11/09/11	K011



FACE RUNOUT (WITH INDICATOR MOUNTED STATIONARY, RELATIVE TO SHAFT) MUST NOT EXCEED .004 T.I.R.

ECCENTRICITY OF THIS SURFACE (WITH INDICATOR MOUNTED STATIONARY, RELATIVE TO SHAFT) MUST NOT EXCEED .004 T.I.R.

VIEW OF P.E. END SHIELD.

ECCENTRICITY OF THRD. PORTION OF SHAFT IS HELD WITHIN .004 TOTAL GAGE READING WITH THE INDICATOR ON THE O.D. OF THE GROUND RING GAGE AS SHOWN. THE GAGE BEING STATIONARY WITH RESPECT TO THE ROTOR.

ALL DIMENSIONS ARE IN INCHES

P	TYPE	GE	SIZE	NEMA FR.	"C"	"AG"	"XH"	"XR"	"XS"	MIN. SHELL
1	KC	46	56J	13.73	11.10	8.92	5.44	2.40	3.17	8.99

SIGNATURES		DATE
MODEL	M.D.PAPE	06/28/94
DETAIL		
CHECKED		
ENGRG		
MFG		
QUALITY		
ISSUED	M.D.PAPE	06/28/94
SOLID MODEL: 52A109642		



REGAL-BELOTT CORPORATION

TITLE

JET PUMP MOTOR - DRIP PROOF - BALL BEARING R2 END MOUNTED FWF: SKC49TN2169X

SIZE: DRAWING A

SCALE: 0.250 REF. No:

52A109642

SHEET 1 of 1

